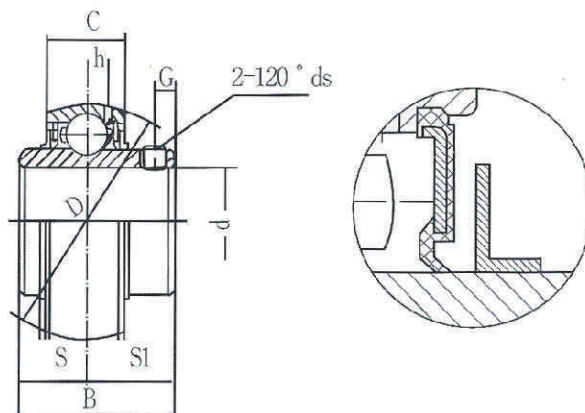
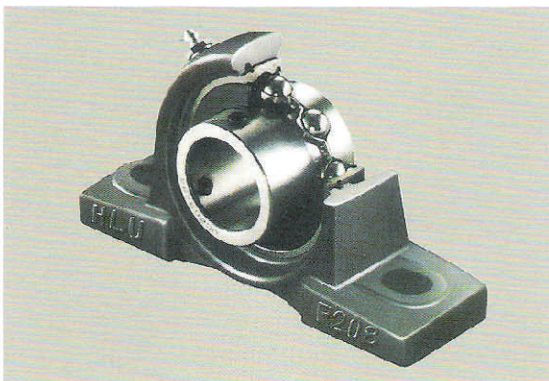




(UC) 外球面球轴承

(UC) SPHERICAL SURFACE BALL BEARING



轴承代号 Bearing No.	内径尺寸 d (mm) Bore Dia Of		外形尺寸 (in) Dimensions (mm)								额定动负荷 Basic Load Rating CR(KN)	额定静负荷 Basic Static Load Rating COR(KN)	重量 Weight (KG)	
	(in)	(mm)	D	B	C	S	S1	G	H	ds				
UC 205-14	7/8													0.220
205-15	15/16													0.210
205			2.0472	1.3425	0.6693	0.5630	0.7795	0.2165	0.1772	M6x1				0.208
205-16	1	25	52	34.1	17	14.3	19.8	5.5	4.5	1/4-28	14.03	7.06		0.200
UC 206-17	1 1/16													
206-18	1 1/8													0.340
206														0.320
206-19	1 3/16		2.4409	1.5000	0.7480	0.6260	0.8740		0.2087	M8x1				0.310
206-20	1 1/4	30	62	38.1	19	15.9	22.2	0.2362	5.3	1/4-28	19.47	11.26		0.300
UC 207-20	1 1/4							6.0						0.530
207-21	1 5/16													0.510
207-22	1 3/8													0.480
207			2.8346	1.6890	0.7874	0.6890	1.0000	0.2559	0.2244	M8x1				0.470
207-23	1 7/16	35	72	42.9	20	17.5	25.4	6.5	5.7	5/16-24	20.67	15.29		0.450
UC 208-24	1 1/2													0.680
208-25	1 9/16		3.1496	1.9370	0.8268	0.7480	1.1890	0.3150	0.2480	M8x1				0.650
208		40	80	40.2	21	19.0	30.2	8.0	6.3	5/16-24	22.71	15.94		0.640
UC 209-26	1 5/8													0.780
209-27	1 11/16													0.740
209-28	1 3/4		3.3465	1.9370	0.8661	0.7480	1.1890	0.3150	0.2677	M8x1				0.700
209		45	85	49.2	22	19.0	30.2	8.0	6.8	5/16-24	24.36	17.71		0.680
UC 210-30	1 7/8													0.870
210-31	1 15/16													0.820
210			3.5433	2.0315	0.9449	0.7480	1.2835	0.3543	0.2638	M10x1.25				0.800
210-32	2	50	90	51.6	24	19.0	32.6	9.0	6.7	3/8-24	27.50	20.20		1.270
UC 211-32	2													1.180
211-34	2 1/8													1.120
211			3.9370	2.1890	0.9843	0.8740	1.3150	0.3543	0.2835	M10x1.25				1.100
211-35	2 3/16	55	100	55.6	25	22.2	33.4	9.0	7.2	3/8-24	33.40	25.10		1.100
UC 212-36	2 1/4													1.670
212														1.540
212-38	2 3/8		4.3307	2.5630	1.0630	1.0000	1.5630	0.4134	0.3228	M10x1.25				1.520
212-39	2 7/16	60	110	65.1	27	25.4	39.7	10.5	8.2	3/8-24	41.00	31.50		1.450
UC 213-40	2 1/2													1.840
213		65	4.7244	2.5630	1.1024	1.0000	1.5630	0.4724	0.3150	M12x1.25				1.720
			120	65.1	28	25.4	39.7	12.0	8.0	7/16-20	44.40	34.20		
UC 214-44	2 3/4													2.030
214		70	4.921	2.9370	1.1811	1.1890	1.7480	0.4724	0.3543	M12x1.25				2.000
			125	74.6	30	30.2	44.4	12.0	9.0	7/16-20	46.79	37.59		
UC 215														2.210
215-47	2 15/16		5.1181	3.0630	1.1811	1.3110	1.7520	0.4724	0.3543	M12x1.25				2.120
215-48	3	75	130	77.8	32	33.3	44.5	12.0	9.0	7/16-20	55.40	41.26		