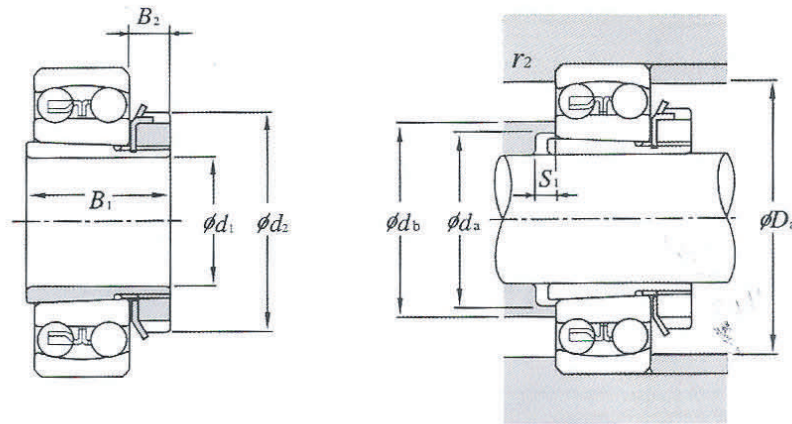




SELF-ALIGNING BALL BEARING



Boundary dimensions mm				Bearing numbers	Abutment and fillet dimensions mm					Mass ¹⁾ kg (approx.)
d1	B1	d2	B2		da min	db max	S1 min	Da max	ras max	
17	24	32	7	1204SK; H204	23	27	5	41	1	0.041
	28	32	7	2204SK; H304	24	28	5	41	1	0.045
	28	32	7	1304SK; H304	24	31	8	45	1	0.045
	31	32	7	2304SK; H2304	24	28	5	45	1	0.049
20	26	38	8	1205SK; H205X	28	33	5	46	1	0.07
	29	38	8	2205SK; H205X	29	33	5	46	1	0.075
	29	38	8	1305SK; H305X	29	37	6	55	1	0.075
	35	38	8	2305SK; H2305X	29	34	5	55	1	0.087
25	27	45	8	1206SK; H206X	33	39	5	56	1	0.099
	31	45	8	2206SK; H306X	34	39	5	56	1	0.109
	31	45	8	1306SK; H306X	34	44	6	65	1	0.109
	38	45	8	2306SK; H2306X	35	40	5	65	1	0.126
30	29	52	9	1207SK; H207X	38	46	5	65	1	0.125
	35	52	9	2207SK; H307X	39	45	5	65	1	0.142
	35	52	9	1307SK; H307X	39	50	7	71.5	1.5	0.142
	43	52	9	2307SK; H2307X	40	46	5	71.5	1.5	0.165
35	31	58	10	1208SK; H208X	44	52	5	73	1	0.174
	36	58	10	2208SK; H308X	44	50	5	73	1	0.189
	36	58	10	1308SK; H308X	44	56	5	81.5	1.5	0.189
	46	58	10	2308SK; H2308X	45	52	5	81.5	1.5	0.224
40	33	65	11	1209SK; H209X	49	57	5	78	1	0.227
	39	65	11	2209SK; H309X	49	57	8	78	1	0.248
	39	65	11	1309SK; H309X	49	61	5	91.5	1.5	0.248
	50	65	11	2309SK; H2309X	50	58	5	91.5	1.5	0.28
45	35	70	12	1210SK; H210X	53	62	5	83	1	0.274
	42	70	12	2210SK; H310X	54	63	10	83	1	0.303
	42	70	12	1310SK; H310X	54	67	5	100	2	0.303
	55	70	12	2310SK; H2310X	56	65	5	100	2	0.362
50	37	75	12	1211SK; H211X	60	70	6	91.5	1.5	0.308