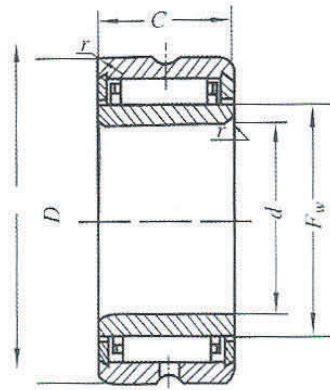
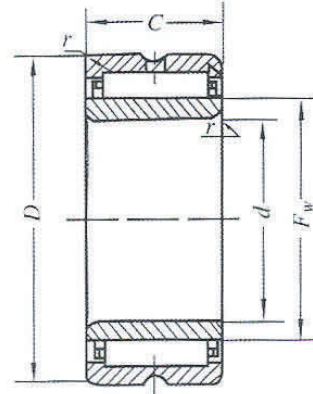




NEEDLE ROLLER BEARING



NA Model
NKI Model



NA 6900 Model
($d \geq 32\text{mm}$)

d	Boundary dimensions /mm		Basic load ratings /kN		Limiting speeds /(r/min)		Mass/g
	D	C	Cr	Cor	grease	oil	W ≈
45	62	25	38.8	74.2	4800	6700	225
	62	35	51.8	108	4800	6700	314
	68	22	46.0	73.0	4800	6700	284
50	68	40	67.2	118	4800	6700	-
	68	25	41.0	82.5	4500	6300	267
	68	35	54.8	120	4500	6300	373
	72	22	48.2	80.0	4500	6300	287
55	72	40	70.2	128	4500	6300	-
	72	25	43.2	90.8	4000	5600	267
	72	35	57.5	132	4000	5600	373
	80	25	58.5	99.0	4000	5600	416
60	80	45	87.8	168	4000	5600	-
	82	25	45.5	92.0	3800	5300	398
	82	35	66.5	150	3800	5300	559
	85	25	61.2	108	3800	5300	448
65	85	45	90.8	182	3800	5300	-
	90	25	62.2	112	3600	5000	479
	90	25	54.2	100	3600	5000	483
	90	35	79.5	165	3600	5000	680
70	90	45	93.2	188	3600	5000	-
	95	25	57.2	112	3200	4500	512
	95	35	83.8	182	3200	4500	720
	100	30	84.0	152	3200	4500	762
75	100	54	130	260	3200	4500	-
	105	25	69.2	120	3000	4500	669
	105	30	85.5	158	3000	4300	805
	105	35	100	195	3000	4300	939
80	105	54	130	270	3000	4300	-
	110	25	72.2	130	2800	4300	708
	110	30	89.0	170	2800	4000	852
	110	35	105	210	2800	4000	993