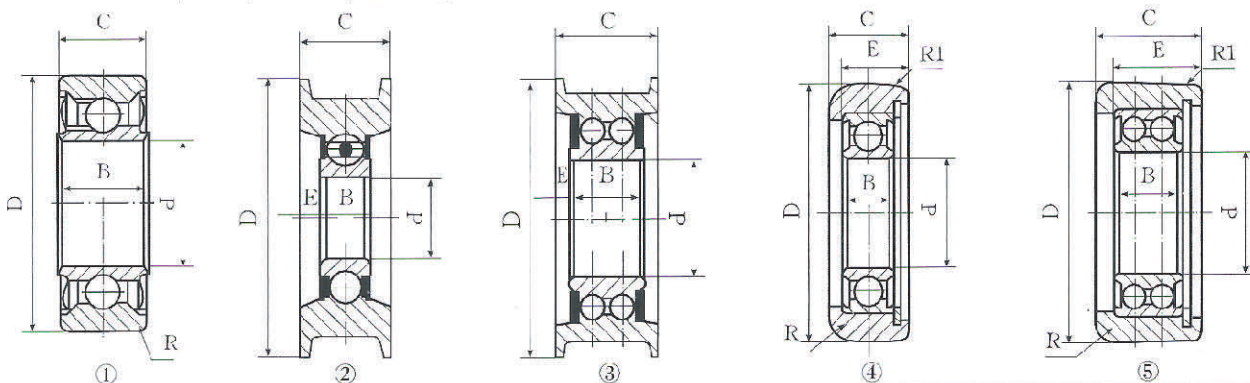


轴承代号 Bearing No.	类型 Type	尺寸 Dimensions (mm)						外球面 R1 Sogere Ball	额定负荷 Load Rating (KN)	
		D	d	C	B	R	E		CR	COR
2801859	1	101.42	40	28.25	23	9.53	1.63		40.76	24.02
6309D	4	127	45	31.75	25	7.92	3.5		52.99	32.05
T309A	1	124.5	45	34	25	5	4.5		52.99	32.05
980811	2	122.5	55	34	25	6.5	4.5		53.31	34.86
MG308FFB	2	101.5	40	28.4	22.37	8	5.6		31.32	22.29
MG206FFA	3	81.28	30	25.4	19.58	6.76	2.91		19.45	11.26



轴承代号 Bearing No.	类型 Type	尺寸 Dimensions (mm)							外球面 R1 Sogere Ball	额定负荷 Load Rating (KN)	
		D	d	C	B	R	E	CR		COR	
MG 2 x 4	1	103.3	50.8	34.5	36	3.25			45.34	41.43	
9296783	2	119	35	38.3	21		8.65		33.36	19.2	
231427	3	95.25	40	34.54	25.28		4.63		39.73	48.92	
MG206FFHA	4	79.3	30	28.5	16.5	6.75	22.4	329.74			
MG206FFU	4	81	30	29	16.5	6.13	21.8	371.76			
MG207FFQH	4	110	35	30.1	20	8	23.7		27.76	25.49	
MG207FFQA	4	110	35	30.1	20	8	23.6		27.76	25.49	
MG207FFU	4	92	35	31	20	8	24.3		27.76	25.49	
MG207FFQ	4	110	35	30.1	20		23.6		27.76	25.49	
MG207FFWA	4	81.89	35	31.06	20	7.97	23.91		27.76	25.49	
MG5208VFFQ	5	103.66	40	42.9	30.1	8	35	243.58			
MG5208VFFE	5	126.75	40	43.1	30.1	20	35	250			
MG5208VFFP	5	126.75	40	42.9	30.1	8.5	35.5	203.33			
MG5208VFF	5	103.66	40	44.7	30.1	12	35	260			
MG5208VFFA	5	103.66	40	43.13	30.1	12	35	260			