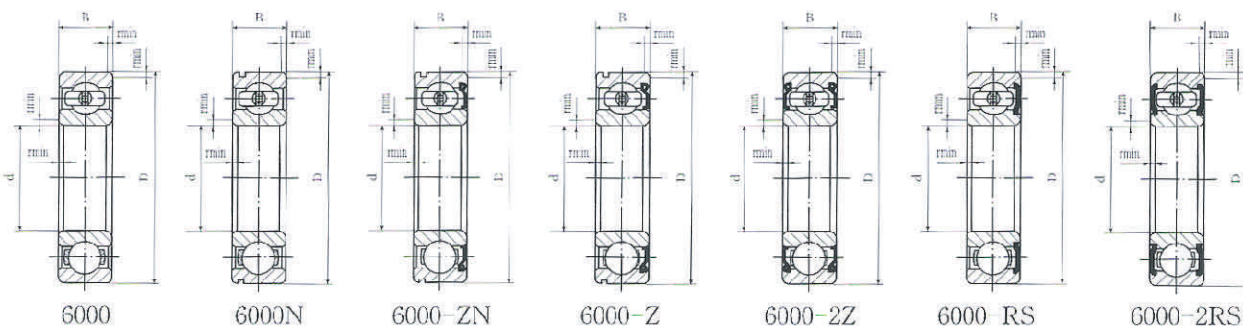




深沟球轴承

DEEP GROOVE BALL BEARING



轴承代号 Bearing No.	外形尺寸 (mm) Dimensions				极限转速 r/min speed limit		额定动负荷 Basic Load Rating CR(KN)	额定静负荷 Basic Static Load Rating COR(KN)	重量 Weight (KG)
	d	D	B	rsmin	脂润滑 Grease	油润滑 Oil			
16005TN	25	47	8	0.3	13000	17000	8.42	5.15	0.060
16006TN	30	55	9	0.3	10000	14000	11.26	7.35	0.093
16007TN	35	62	9	0.3	9000	12000	12.24	8.81	0.104
16008TN	40	68	9	0.3	8500	11000	12.67	9.62	0.130
16009TN	45	75	10	0.6	8000	10000	12.89	10.48	0.170
16010TN	50	80	10	0.6	7000	9000	16.09	13.15	0.180
16011TN	55	90	11	0.6	6300	8000	16.25	13.25	0.260
16012TN	60	95	11	0.6	6000	7500	16.70	15.16	0.280
16013	65	100	11	0.6	5600	7000	17.50	16.00	0.300
16014	70	110	13	0.6	5300	6700	18.67	16.88	0.450
16015	75	115	13	0.6	5000	6300	19.11	17.74	0.470
16016	80	125	14	0.6	4800	6000	25.20	25.20	0.600
16017	85	130	14	0.6	4500	5600	26.20	25.80	0.624
16018	90	140	16	1.0	4300	5300	33.50	33.50	0.850
16019	95	145	16	1.0	4000	5000	37.00	36.80	1.890
16020	100	150	16	1.0	3800	4800	38.20	38.50	0.910
16021	105	160	18	1.0	3600	4500	43.50	44.20	1.200
16022	110	170	19	1.0	3400	4300	53.00	54.00	1.420
16024	120	180	19	1.0	3000	3800	54.20	57.00	1.800
16026	130	200	22	1.1	2800	3600	61.80	67.00	2.630