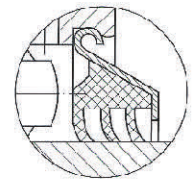
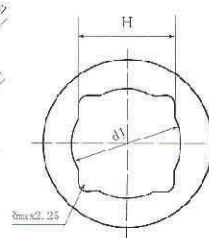
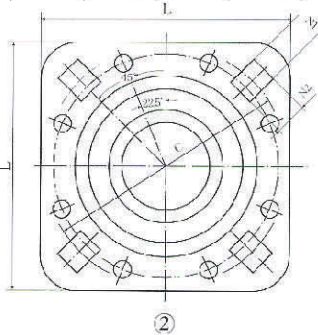
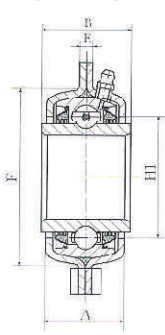
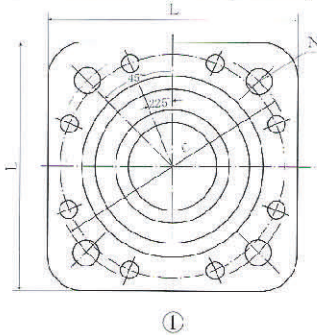


轴承代号 Bearing No.	型号 Type	外形尺寸 (in)      Dimensions (mm)									4-Holes			重量 Weight (KG)
		H	d	L	B	A	E	H1	F	C	N	N1	N2	
ST208-1N	1	1.024 26.000		4.7638 121.0	1.438 36.53	1.378 35.0	0.2756 7.0	2.1654 55.00	3.6220 92.0	4.7638 121.0		0.5315 13.5	0.5315 13.5	1.348
ST208	1	1.035 26.300		4.7638 121.0	1.438 36.53	1.1732 29.8	0.2756 7.0	2.9228 74.24	3.6220 92.0	4.7638 121.0		0.5315 13.5	0.5315 13.5	0.981
ST209-1 3/4	2		1.7811 45.240	5.866 14.9	1.438 36.53	4.9449 125.5	0.3150 8.0	2.7343 69.46	3.7402 95.0	5.866 149.0		0.5276 13.4	0.5276 13.4	1.941
ST211-2 3/16JD	2		2.1929 55.700	6.575 167.0	7.563 192.0	2.2204 56.4	0.3937 10.0	3.2572 82.58	4.4094 112.0	6.575 167.0		0.5276 13.4	0.5276 13.4	2.500
ST211-33	2	1.2992 33.000		6.6929 170.0	1.3110 33.3	1.5748 40.0	0.3150 8.0	3.6038 91.56	3.6299 92.2	6.6929 170.0	0.5118 13.0	0.5118 13.0	0.5118 13.0	2.225



轴承代号 Bearing No.	型号 Type	外形尺寸 (in)      Dimensions (mm)									4-Holes			重量 Weight (KG)
		H	L	B	A	E	H1	F	C	N	N1	N2		
ST209-1 1/8	1,2	1.799 29.970	5.0000 127.0	1.6850 42.5	1.6535 42.8	0.2756 7.0	0.2756 59.5	3.8386 97.5	5.0000 127.0	0.5315 13.5	0.5315 13.5	0.6870 17.45	1.680	
ST209-30S	1,2	1.2344 31.353	5.0000 127.0	1.6850 42.5	1.6535 42.8	0.2756 7.0	2.3425 59.5	3.8386 97.5	5.0000 127.0	0.5315 13.5	0.5315 13.5	0.6870 17.45	1.680	
ST209-1 1/4	1,2	1.2992 33.000	5.0000 127.0	1.6850 42.5	1.6535 42.8	0.2756 7.0	2.3425 59.5	3.8386 97.5	5.0000 127.0	0.5315 13.5	0.5315 13.5	0.6870 17.45	1.674	
ST209-40R	1,2	1.6078 40.878	5.0000 127.0	1.6850 42.5	1.6535 42.8	0.2756 7.0	2.3425 59.5	3.8386 97.5	5.0000 127.0	0.5315 13.5	0.5315 13.5	0.6870 17.45	1.760	
FD-211-RM	1,2	1.5311 38.890	5.500 139.7	2.0000 50.8	1.8268 46.4	0.3643 9.0	2.8740 73.0	4.685 113.5	5.5000 139.5	0.5315 13.5	0.5315 13.5	0.6870 17.45	2.856	
ST211-40S	2	1.6078 40.878	5.500 139.7	2.0000 50.8	1.8268 46.4	0.3643 9.0	2.8740 73.0	4.685 113.5	5.5000 139.5	0.5315 13.5	0.5315 13.5	0.6870 17.45	2.610	