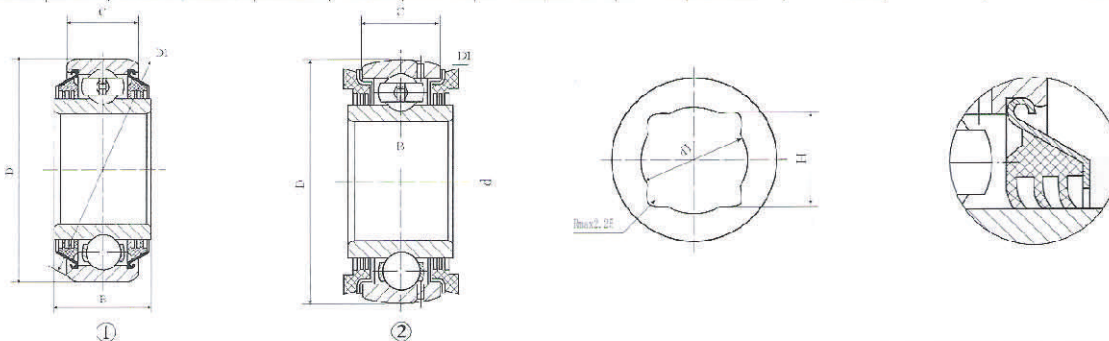


轴承代号 Bearing No.	型号 Type	外形尺寸 (in)				Dimensions (mm)							重量 Weight (KG)
		d	L	B	A	F	HI	F	C	4-Holes			
										N	NI	N2	
ST491B	1,2	1.599	5.0000	1.6850	1.6535	0.2756	2.3425	3.8386	5.0000	0.5315	0.5315	0.6800	1.700
		38.860	127.0	42.8	42.0	7.0	59.5	97.5	127.0	13.5	13.5	17.45	
ST209-40R	1,2	1.6078	5.0000	1.6850	1.6535	0.2756	2.3425	3.8386	5.0000	0.5315	0.5315	0.6800	3.380
		40.878	127.0	42.8	42.0	7.0	59.5	97.5	127.0	13.5	13.5	17.45	
ST491A	1,2	1.7717	5.0000	1.6850	1.6535	0.2756	2.3425	3.8386	5.0000	0.5315	0.5315	0.6800	1.515
		45.000	127.0	42.8	42.0	7.0	59.5	97.5	127.0	13.5	13.5	17.45	
ST209-45R	1,2	1.7850	5.0000	1.6850	1.6535	0.2756	2.3425	3.8386	5.0000	0.5315	0.5315	0.6800	1.540
		45.340	127.0	42.8	42.0	7.0	59.5	97.5	127.0	13.5	13.5	17.45	
ST211-50R	2	1.9843	5.5000	2.0000	1.8268	0.3643	2.8540	4.449	5.5000	0.5315	0.5315	0.6800	2.606
		50.400	127.0	50.8	46.4	9.0	72.5	113.0	139.7	13.5	13.5	17.45	
ST211-55R	2	2.1880	5.5000	2.0000	1.8268	0.3643	2.8540	4.449	5.5000	0.5315	0.5315	0.6800	2.252
		55.575	139.7	50.8	46.4	9.0	72.5	113.0	139.7	13.5	13.5	17.45	
ST211-1 3/4	1,2	1.7800	5.5000	2.189	1.8268	0.3643	2.8540	4.449	5.5000	0.5315	0.5315	0.6800	2.700
		45.212	139.7	55.6	46.4	9.0	72.5	113.0	139.7	13.5	13.5	17.45	
ST211-2 3/16	1,2	2.1880	5.5000	2.189	1.8268	0.3643	2.8540	4.449	5.5000	0.5315	0.5315	0.6800	2.250
		55.575	139.7	55.6	46.4	9.0	72.5	113.0	139.7	13.5	13.5	17.45	
ST211-1 15/16	1,2	1.9385	5.5000	2.7520	1.8268	0.3643	2.8540	4.449	5.5000	0.5315	0.5315	0.6800	2.2720
		49.238	139.7	69.9	46.4	9.0	72.5	113.0	139.7	13.5	13.5	17.45	



轴承代号 Bearing No.	型号 Type	外形尺寸 (in) Dimensions (mm)							额定动负荷 Basic Load Rating CR(KN)	额定静负荷 Basic Static Load Rating COR(KN)	重量 Weight (KG)
		d	II	dI	D	DI	C	B			
W208PPB11	1	1.1800	0.9448	3.4020	0.3439	1.1880	1.4380	22.70	15.94	0.956	
		22.970	24.000	85.750	87.31	30.18	36.53				
W208PPB12	1	1.1800	1.2598	3.4020	0.3439	1.1880	1.4380	22.71	15.94	0.953	
		22.970	32.000	85.750	87.31	30.18	36.53				
209 1 3/4	2	1.7811		3.3465		1.1880	1.4380	24.36	17.71	0.702	
		45.240		85.000		30.18	36.53				
W211PPB6	1	1.5311	1.6535	103.56	4.1299	1.4380	1.7500	33.40	25.10	1.610	
		38.890	42.000	0	104.90	36.53	44.45				